



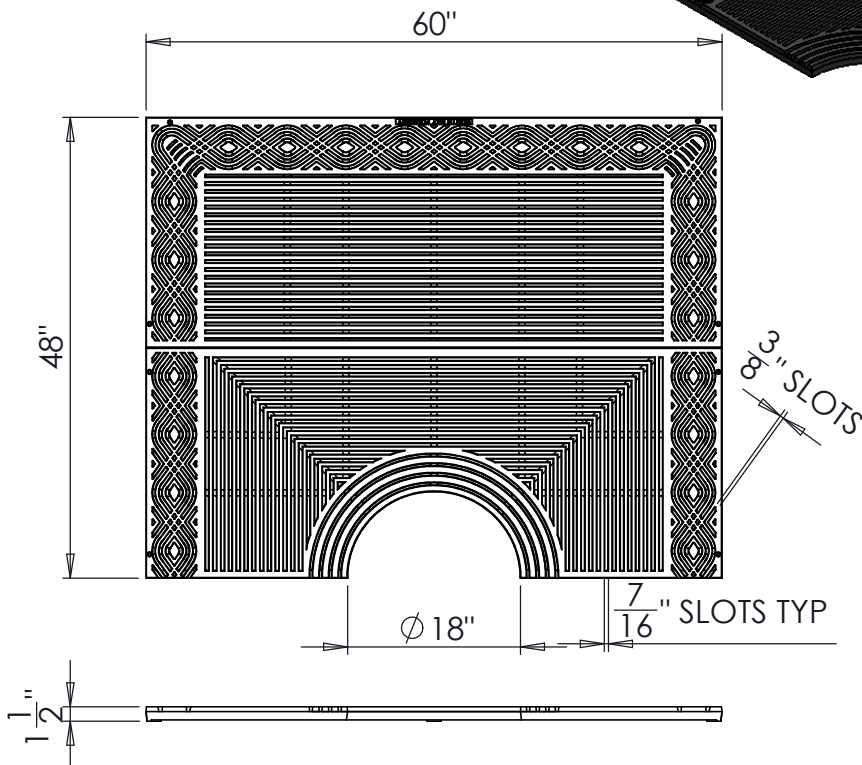
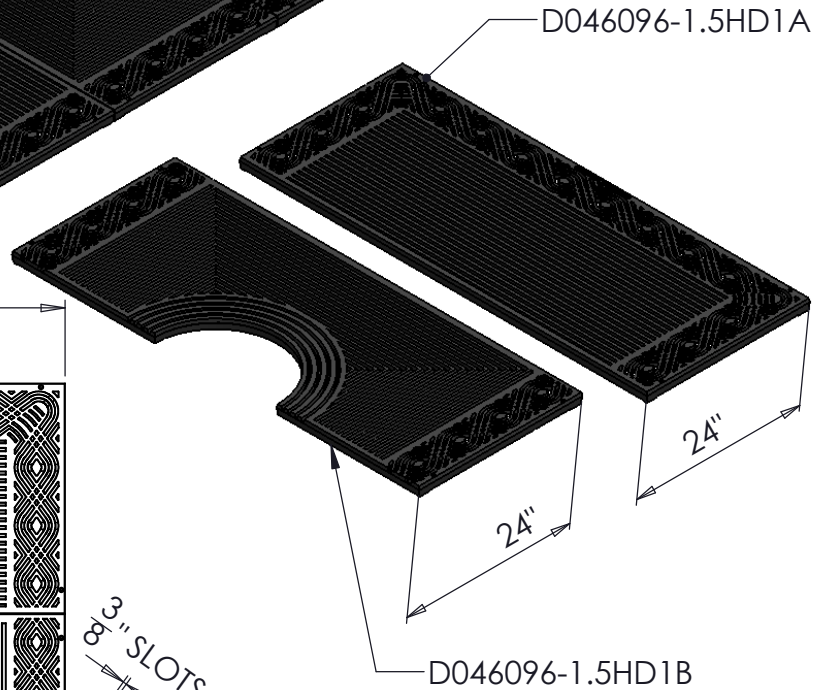
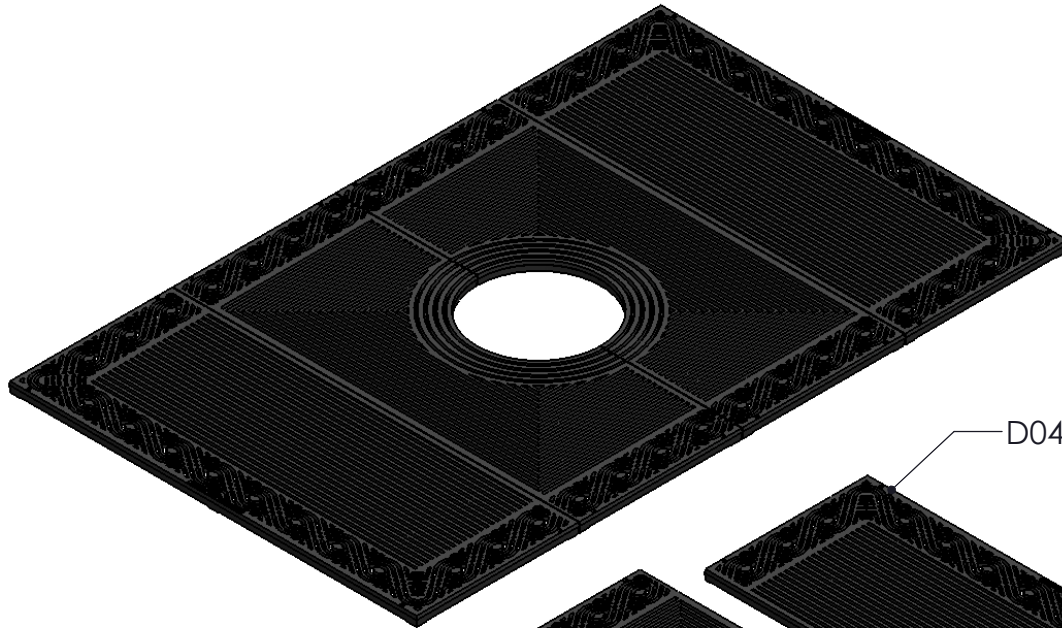
South Bay Foundry

WWW.SOUTHBAYFOUNDRY.COM

PHONE: (619) 956-2780 FAX: (619) 956-2788

D046096-1.5

60"x96" CNK STYLE TREE GRATE



WEIGHT	
PER SET	628 LB

GENERAL INFORMATION

- *MATERIAL: CAST IRON, DUCTILE IRON, OR ALUMINUM
- *FINISHES AVAILABLE: BARE, PAINTED, POWDER COATED, OR SHARK GRIP
- *APPROXIMATE TREE OPENING: Ø 18" Ø 20", Ø 22", Ø 24 OR Ø 26"

APPROVED

BY:

TITLE:

AGENCY:

DATE:

6/6/2013